

GOD WANTS US TO FORGIVE OTHERS

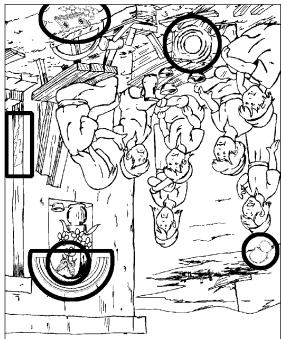
[Capernaum] — Jesus sat teaching his disciples, at his house in Capernaum by the Sea of Galilee. His followers wondered how to get along with people who were doing things to hurt them. They wondered if they should make those people pay for the wrong things they did. Jesus told his disciples, "You must give those people a new chance, the same way God gives you new chances every day."

But that did not convince some of the followers of Jesus. They thought you should stop being good to somebody who kept on doing things to hurt you. Jesus said, "You must give them a new chance every time they need and ask for one." Jesus said we should forgive people even when what they do is so big and so bad we really want to punish them instead.

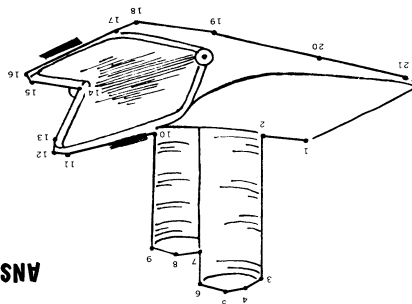
To teach the lesson in another way, Jesus told a story about a man who owed millions of dollars but could not repay the debt. The king to whom he owed it just forgave the debt. The lucky man forced someone else to repay him just a few dollars he had coming. Jesus said, "That man was wrong not to forgive the debt."

Matthew 18:21-35

A54



ANSWERS



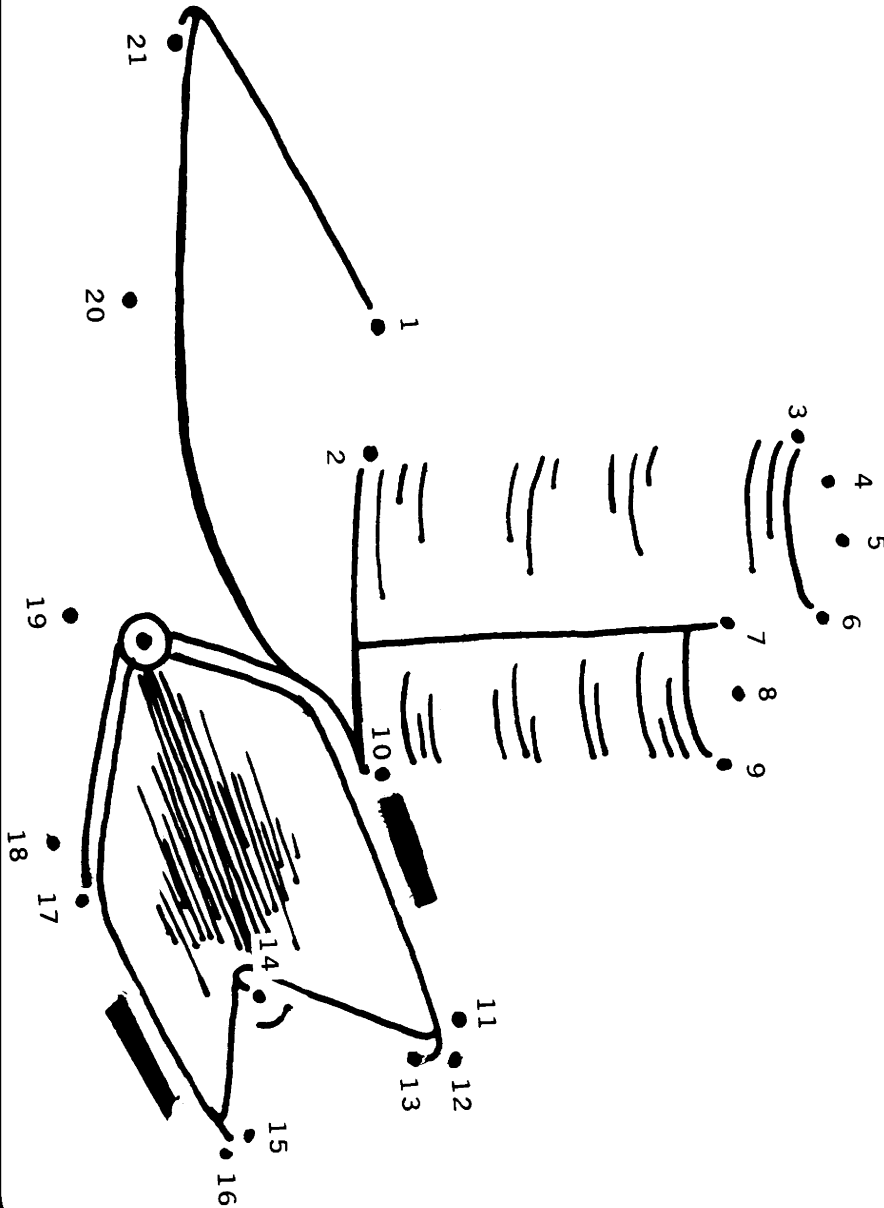
GOSPEL GRAMS



SUNDAY ACTIVITIES FOR CHILDREN



Finish The Picture. Today's Gospel story tells about a man who had a hard time learning how to forgive. Here is a picture of something from the story. Connect all the numbers to see what it is.



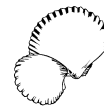
Hidden Objects. Today's Gospel story tells us to forgive people who hurt our feelings. In the picture below of Jesus teaching the people, find 6 objects hidden there. The objects are listed above the picture.



MONEY



BUTTERFLY



SHELLS



SUN



RAINBOW



LIGHTNING

