

HOW TO SAVE A FRIENDSHIP

[Capernaum] — Jesus taught his followers what to do when there are arguments and disagreements. He was in the town of Capernaum, where his house was. His twelve disciples were with him there, learning from Jesus how to love each other.

Jesus told his followers that sometimes even people who are friends can end up arguing with one another — even hating one another. If that happens, what should you do next?

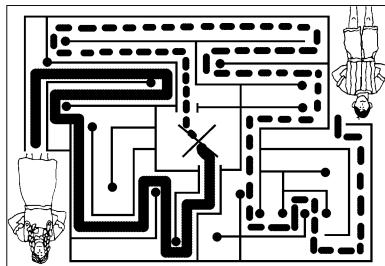
Jesus said that, if we have a problem with someone, we first must go and talk to them. We shouldn't talk about it to a lot of other people. We should just go straight to the person with whom we have a problem. We should talk about it. We should tell them we want the problem to be fixed, and try to keep the person's friendship.

What if they won't listen? Then we need to go back, with some other friends to help us this time. We should not give up until we really try to make things right again.

Matthew 18:15-20

A53

FINDING NEW WORDS:
 DEN SIP FRIES
 SHIN RIP FIN
 HINDER SHIN FIN
 PIN FEND FISH
 NIP FIND FRESHER
 DRIP FINDER RINSE HIP
 DRIES PIE FIR
 HEARD DIE RID
 NEAR SPEND IS RIDE
 HIS SPED END FRIEND
 HIDE SPIN SEND FRIENDS
 RIFEN SHED PEN FIEND
 DIP DISH HEN SHIP

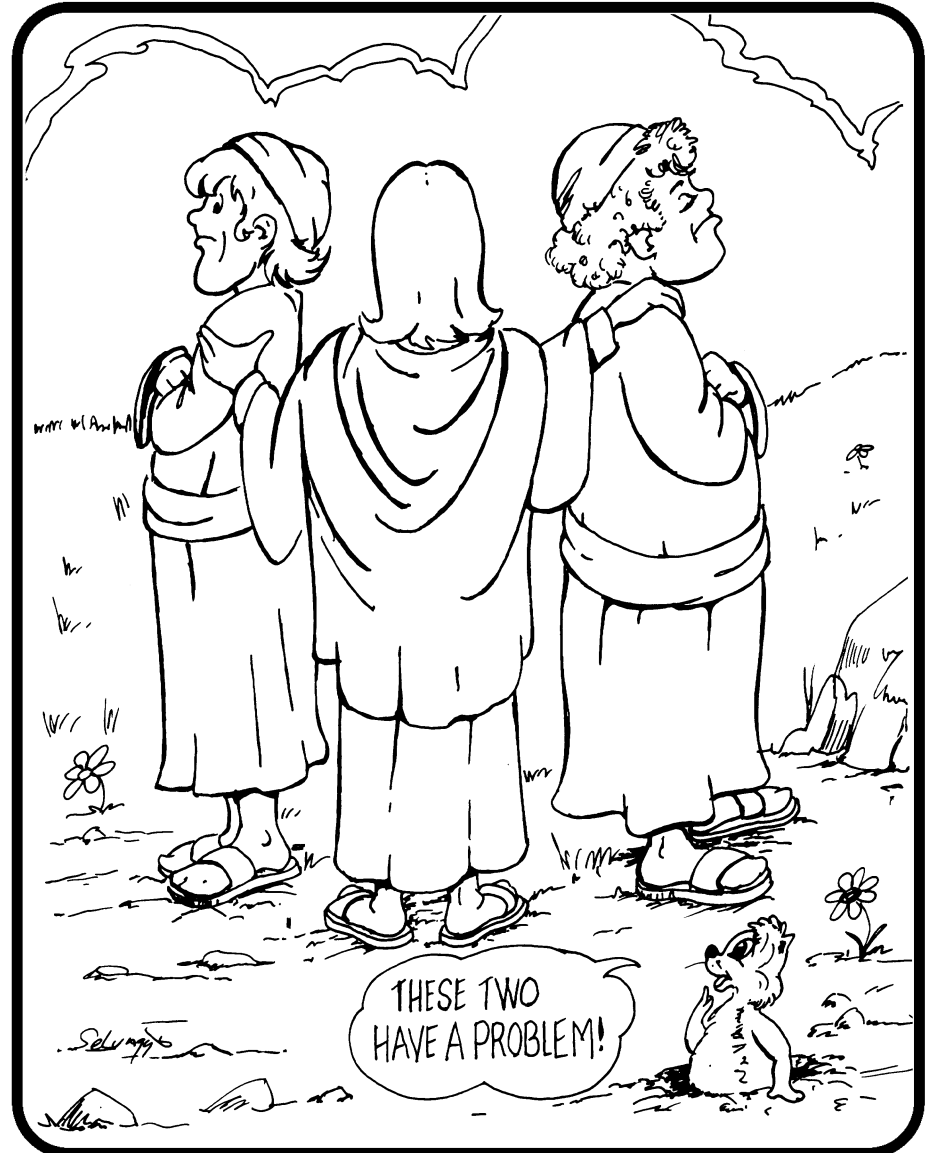


ANSWERS

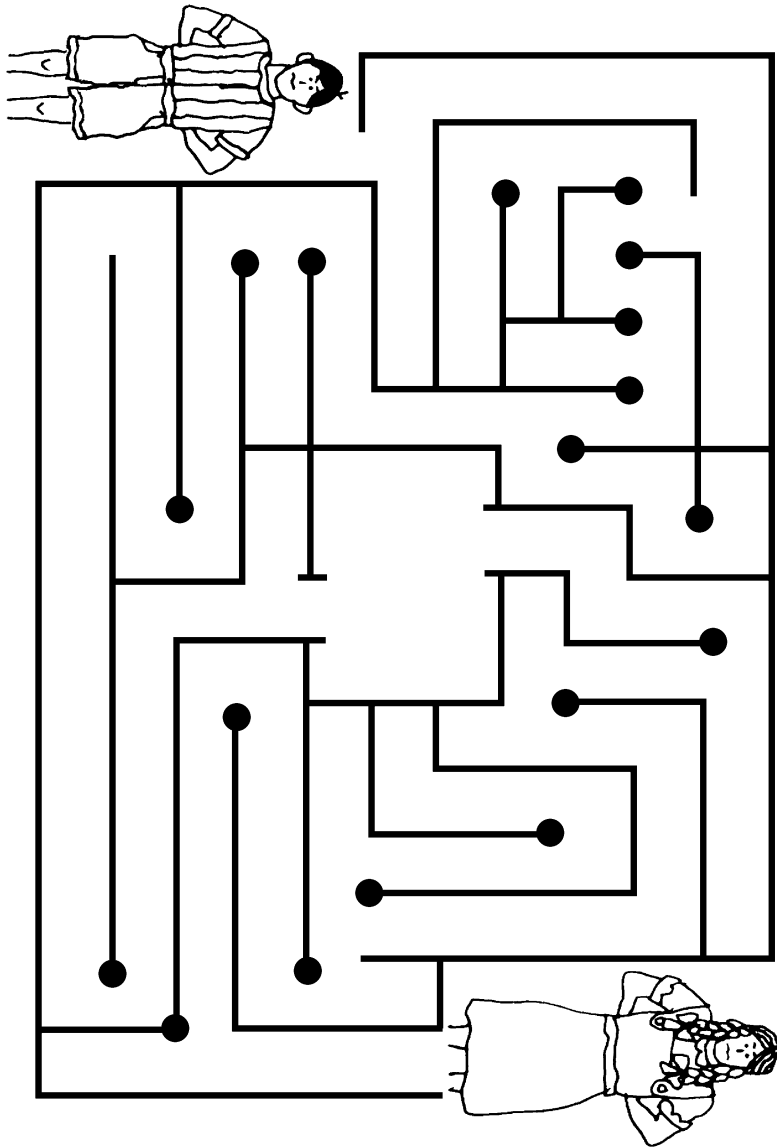
GOSPEL GRAMS



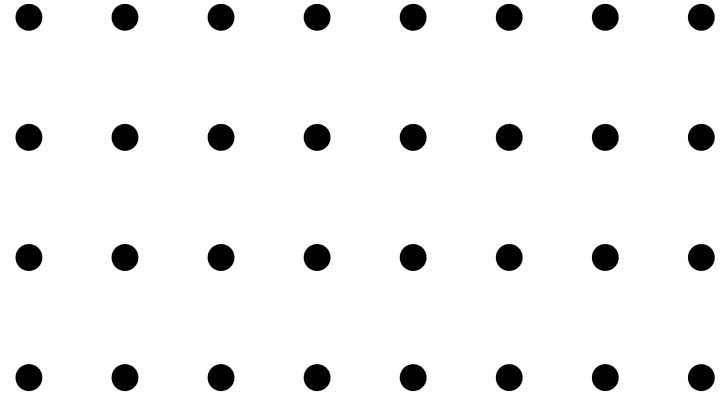
SUNDAY ACTIVITIES FOR CHILDREN



Gus The Gospel Gopher says: "Having someone for an enemy can really make you feel bad. The best thing to do is to go to them, talk things over, and make friends. Here are two people who are angry at each other. Draw a line for each of them, showing how they can meet each other in the middle and become good friends again."



Make a Square. Play this fun game with a friend. Each of you takes turns connecting two lines together. When your line completes a square, you win that square. When you win a square, either write your initial in it or color it your color. Then you get another turn! The one with the most squares wins!



Finding New Words. A big word in today's Gospel story is "friendship." How many new words can you make by using the letters in the word **FRIENDSHIP**? We found 48!

FRIENDSHIP
